

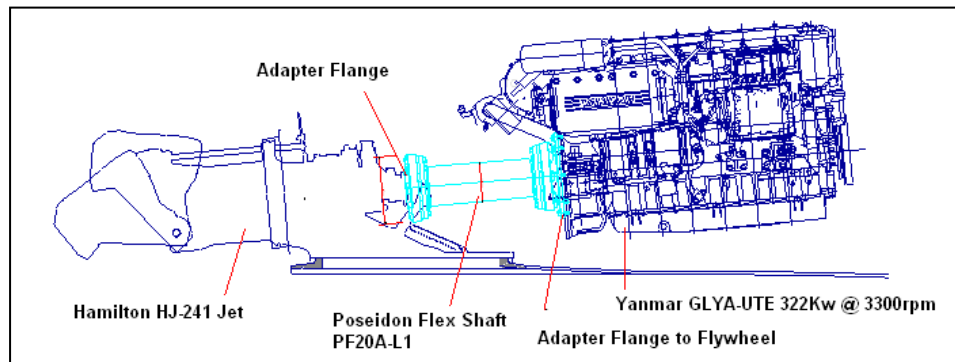
Poseidon Flexible Shaft

Fully Isolated Driveline Shaft for Remote Gears and Drives

An exciting new propulsion development from Poseidon in The Netherlands !

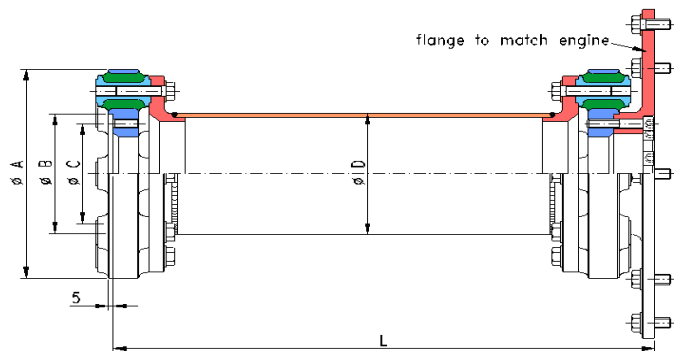
A highly engineered, fully isolated flexible shaft manufactured in standard and custom lengths with adapter flanges made to fit any engine and drive configuration. Poseidon Flexible Shafts are machined and dynamically balanced aluminum and steel with fully isolated 50 Shore rubber buffer inserts.

Provides 100% drive line isolation between engine and stern drive, jets and remote mounted gear or V-Drive. Designed for in line mounting with minimum offset for either thrust or non-thrust bearing applications.



Type	Dimensions in mm						
	A	B	C	D	L1	L2	L3
PF05A	180	107	85	114.3	480	530	580
PF20A	240	137	115	139.7	530	580	630

Type	Technical data		
	Nom. T, Nm	Max. T, Nm	Max. rpm
PF05A	740	1850	5000
PF20A	1970	4930	3800



©2009 Donovan Marine, Inc. All Rights Reserved.

Product specifications and other information have either been provided by our Vendors or collected from publicly available sources. While Donovan Marine, Inc. makes every effort to ensure that the information contained in this document is accurate, we can make no representations or warranties as to the accuracy or reliability of any information provided. Donovan Marine, Inc. makes no warranties or representations whatsoever with regard to any product provided or offered by any Vendor, and you acknowledge that any reliance on representations and warranties provided by any Vendor shall be at your own risk.